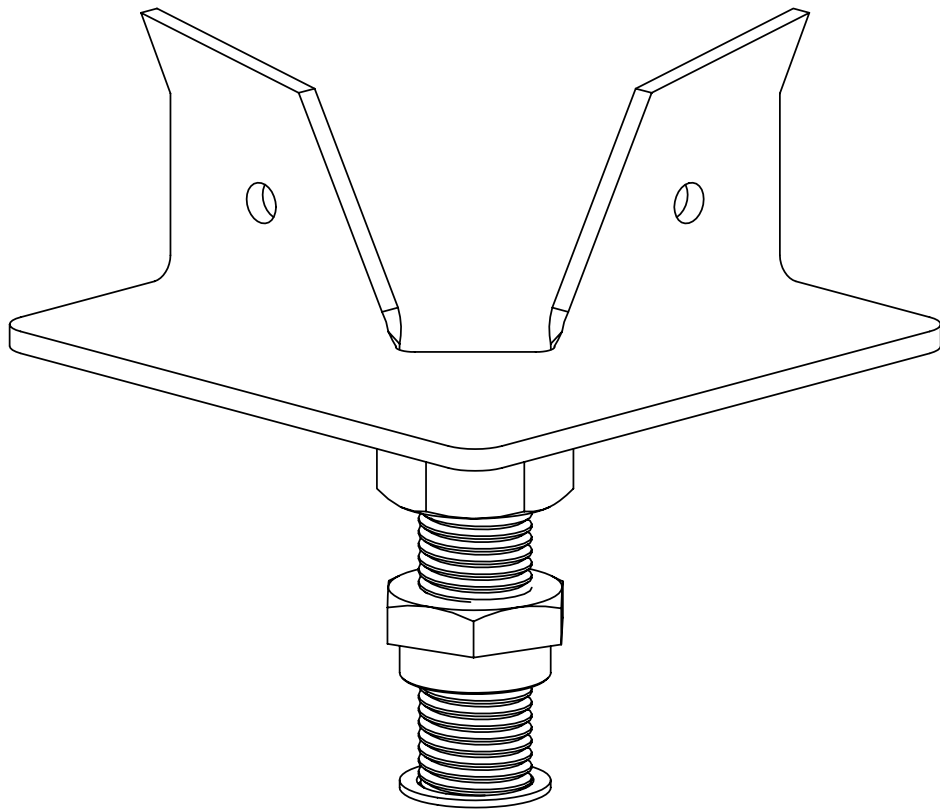
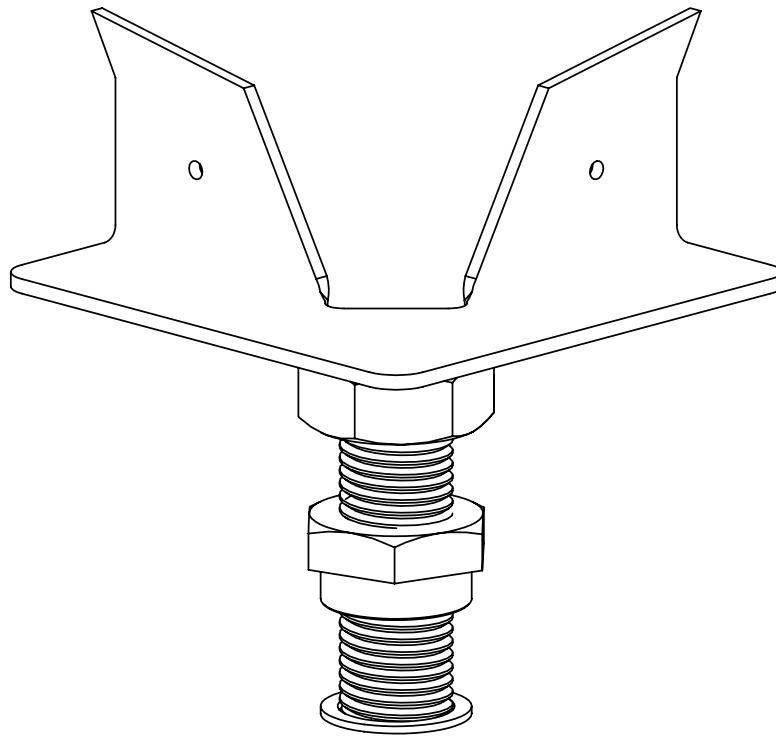


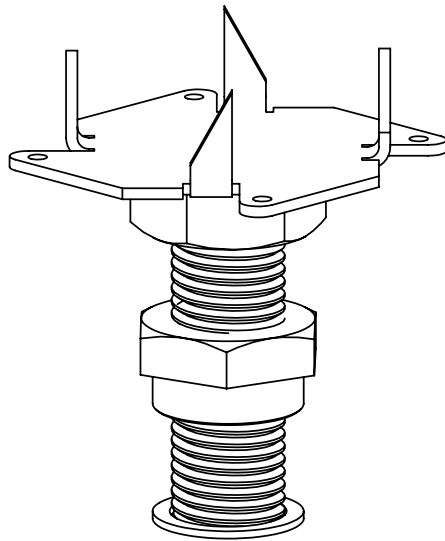
Corner (Int) 66
SIP-02-004



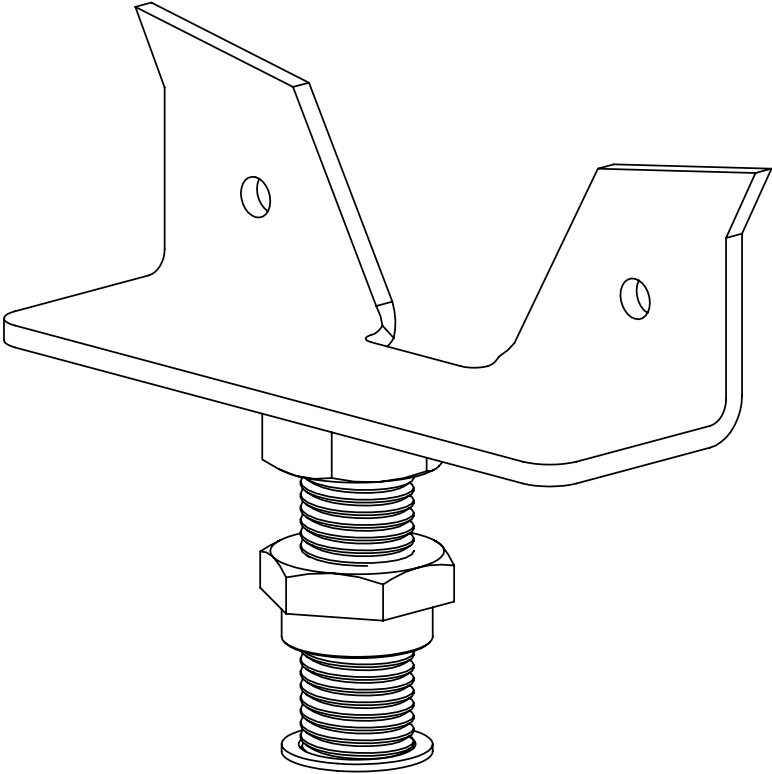
Corner (Int) 45
SIP-02-007



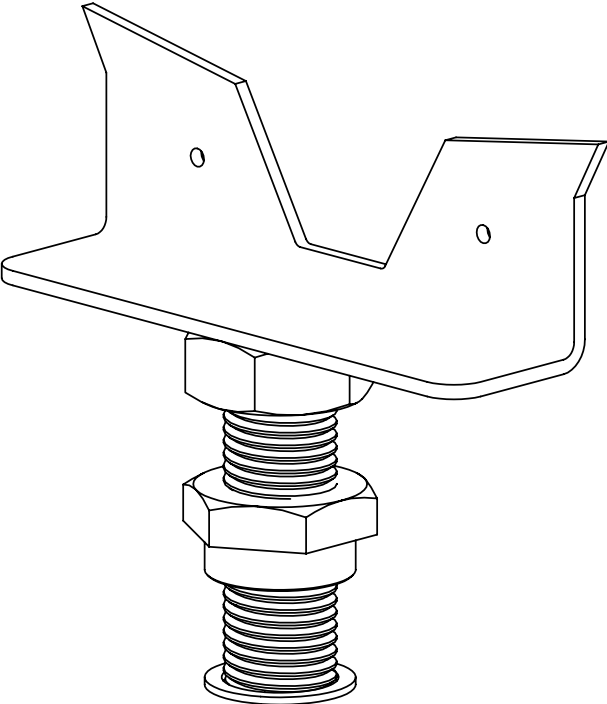
Post 96sq
SIP-02-009



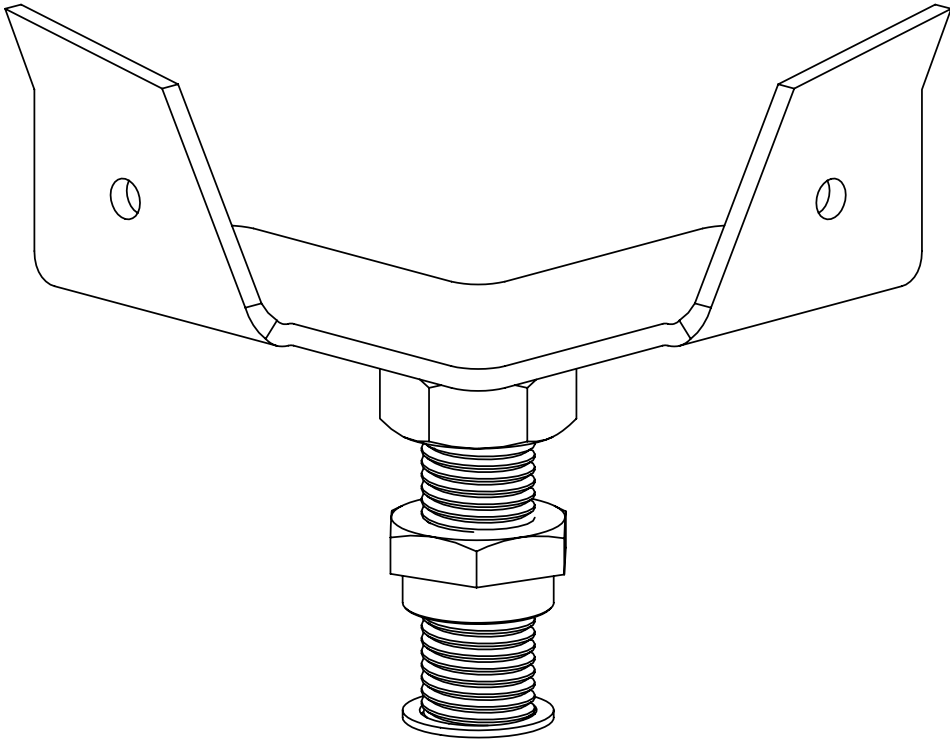
In Line 66
SIP-02-012



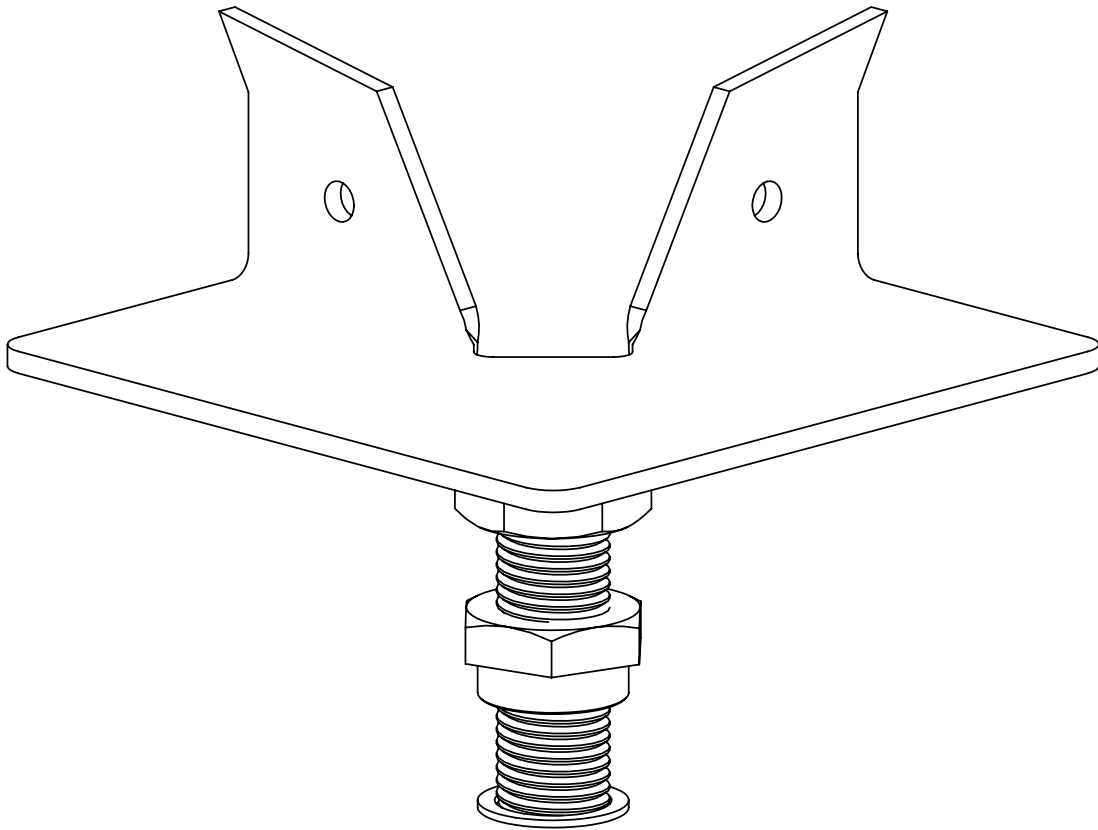
In Line 45
SIP-02-014



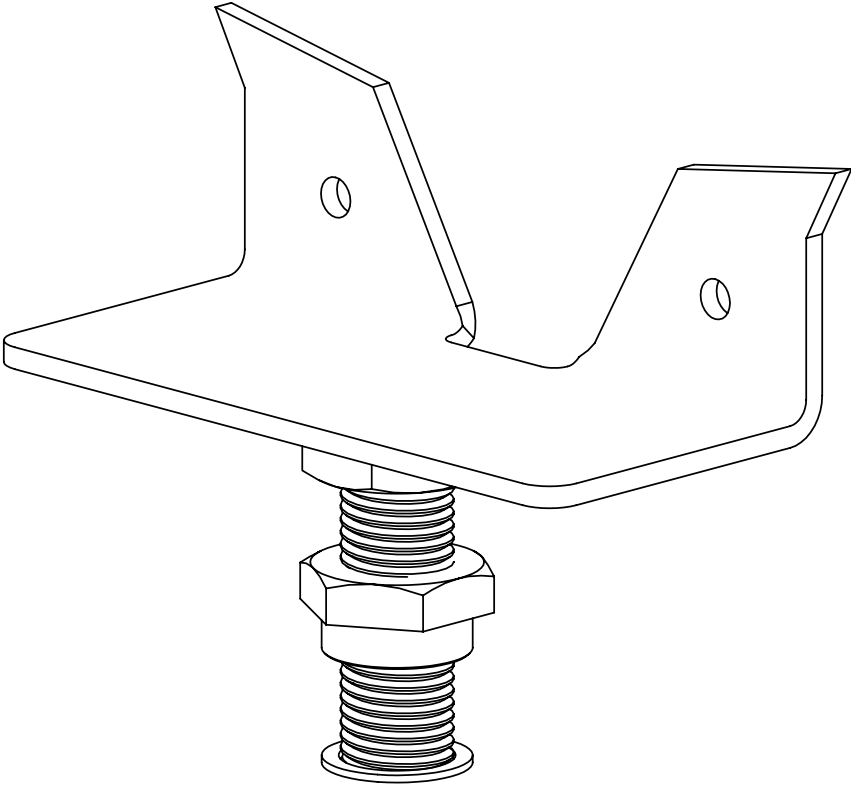
Corner (Ext) 66
SIP-02-023



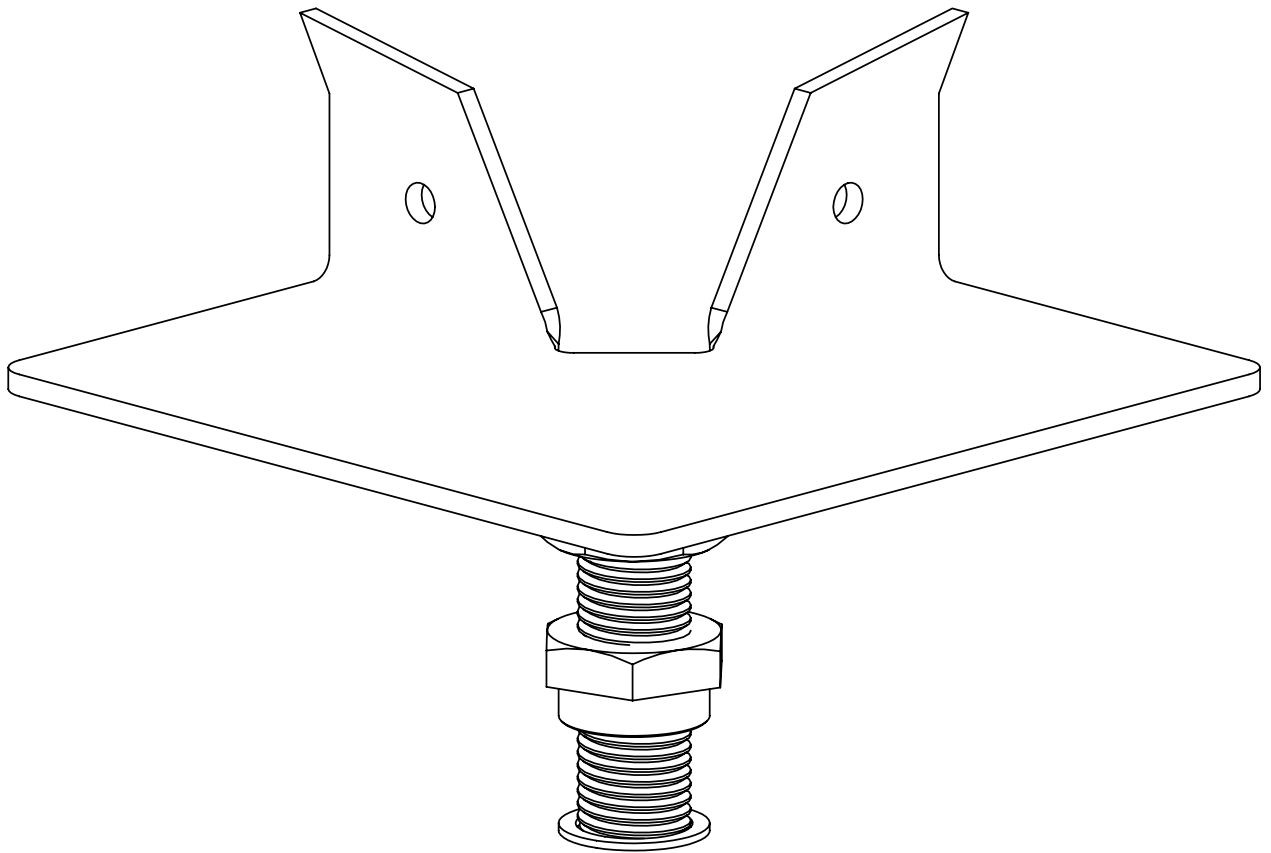
Corner (Int) 96
SIP-02-025



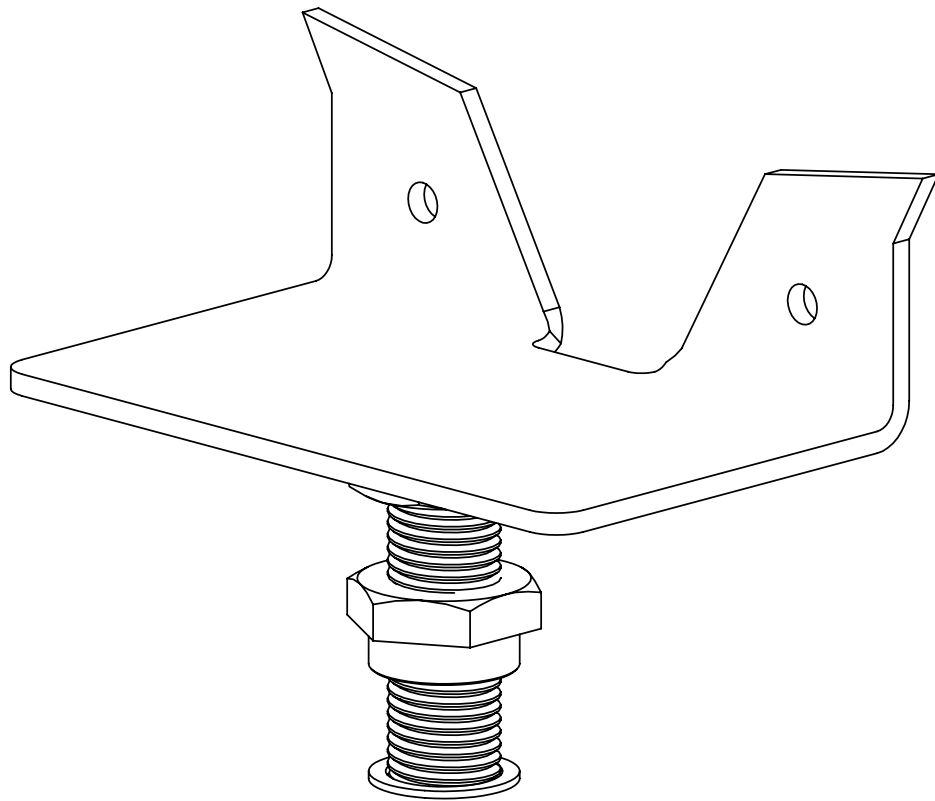
In Line 96
SIP-02-027



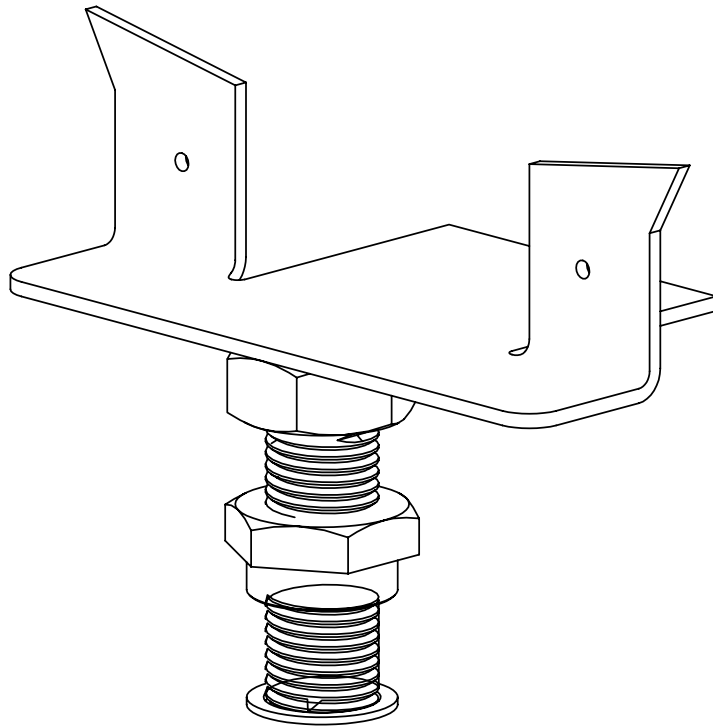
Corner (Int) 126
SIP-02-029



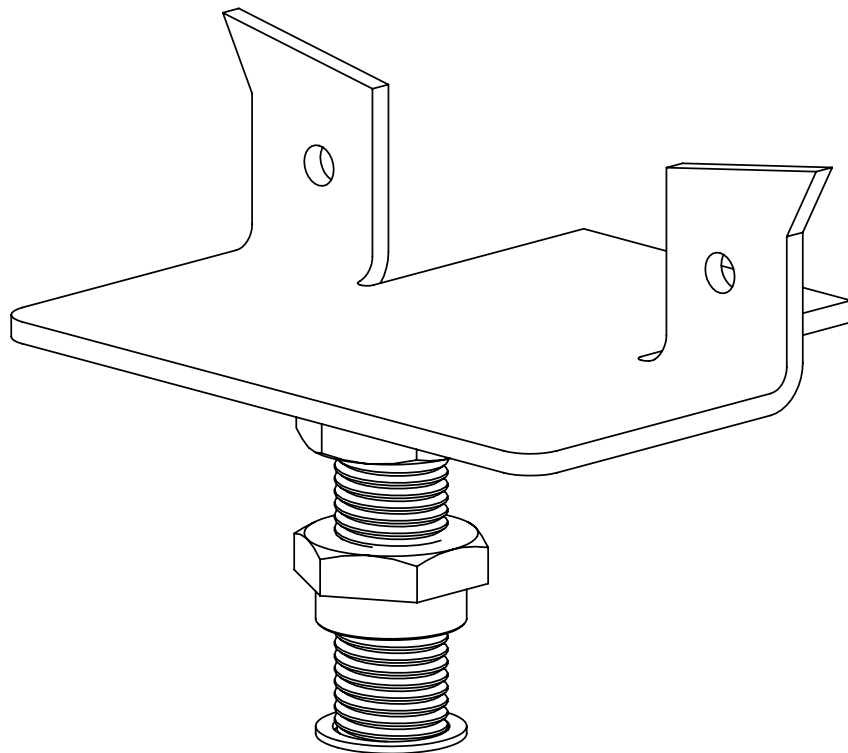
In Line 126
SIP-02-031



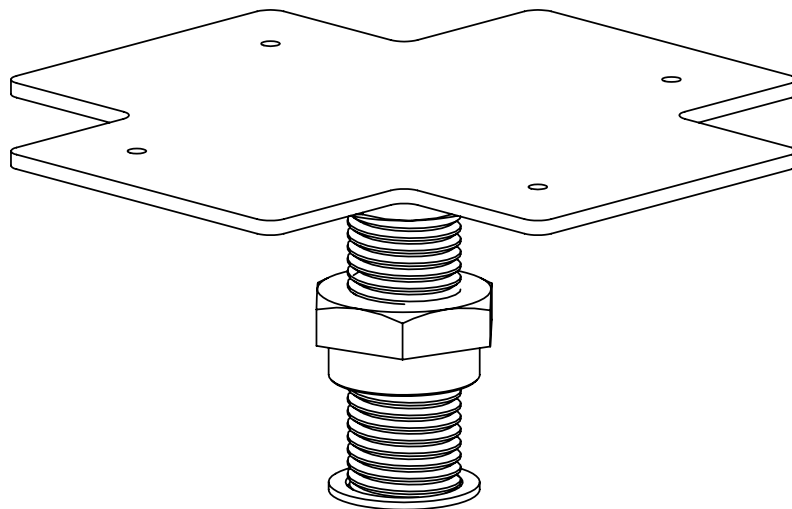
T' 45
SIP-02-033



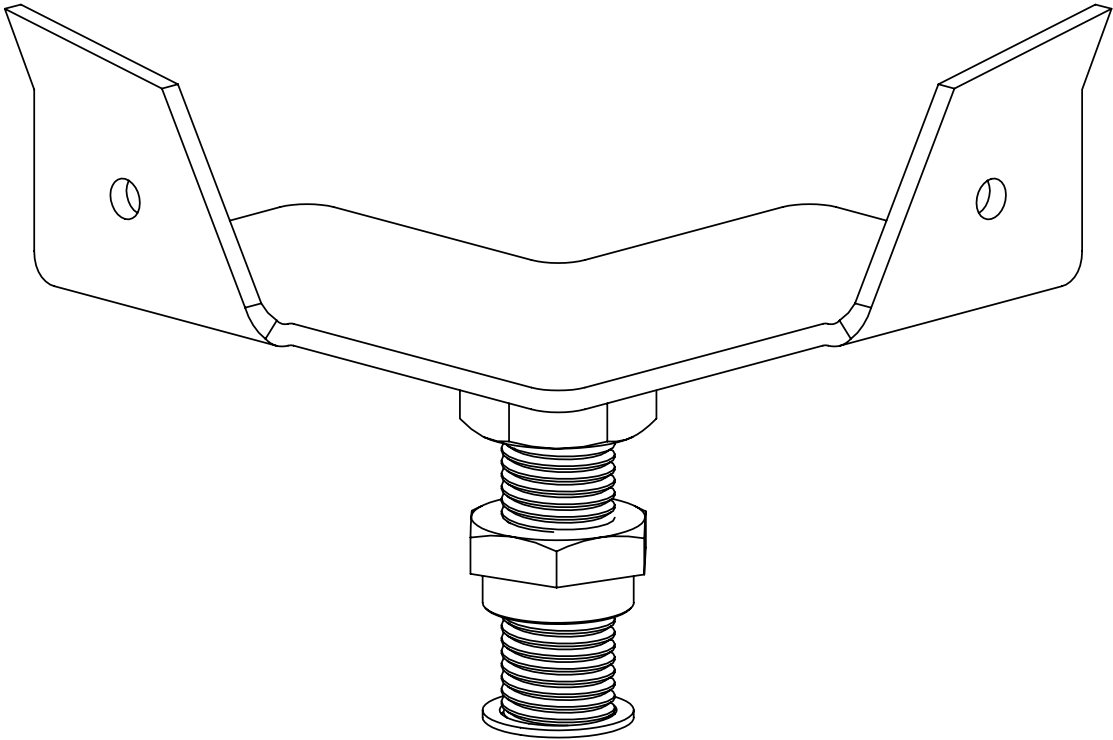
T' 96
SIP-02-035



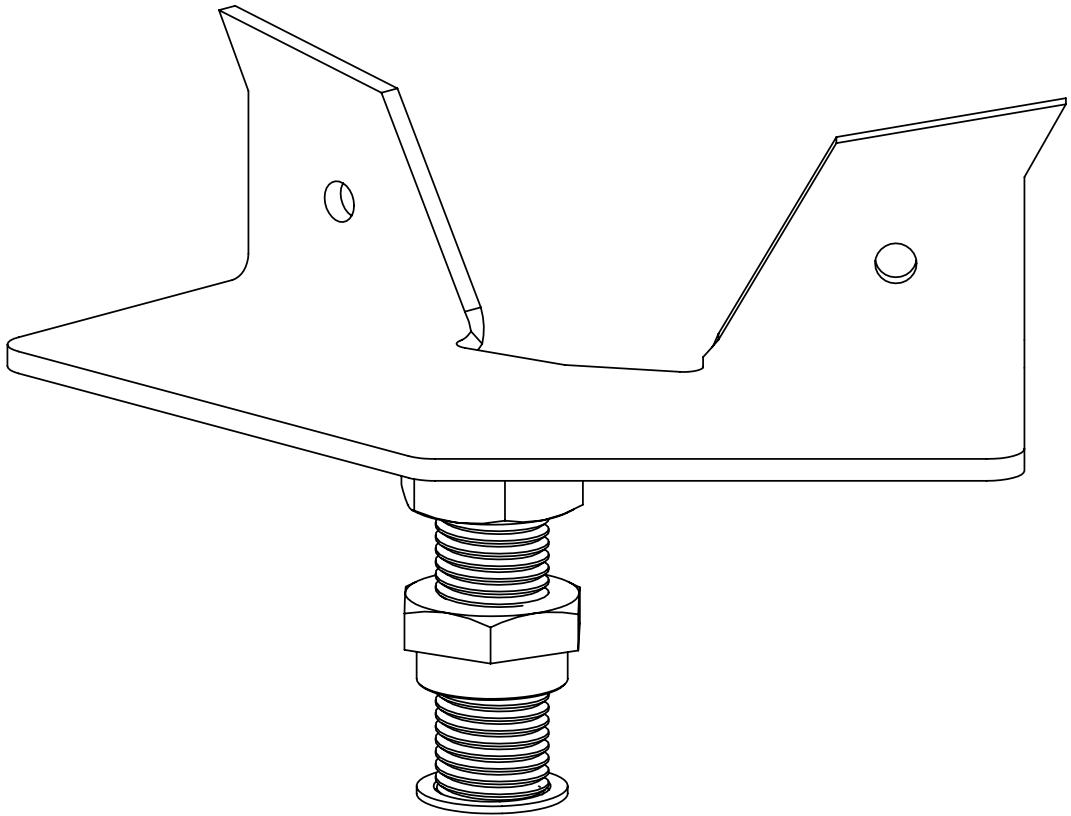
Cross Plate 200
SIP-02-037



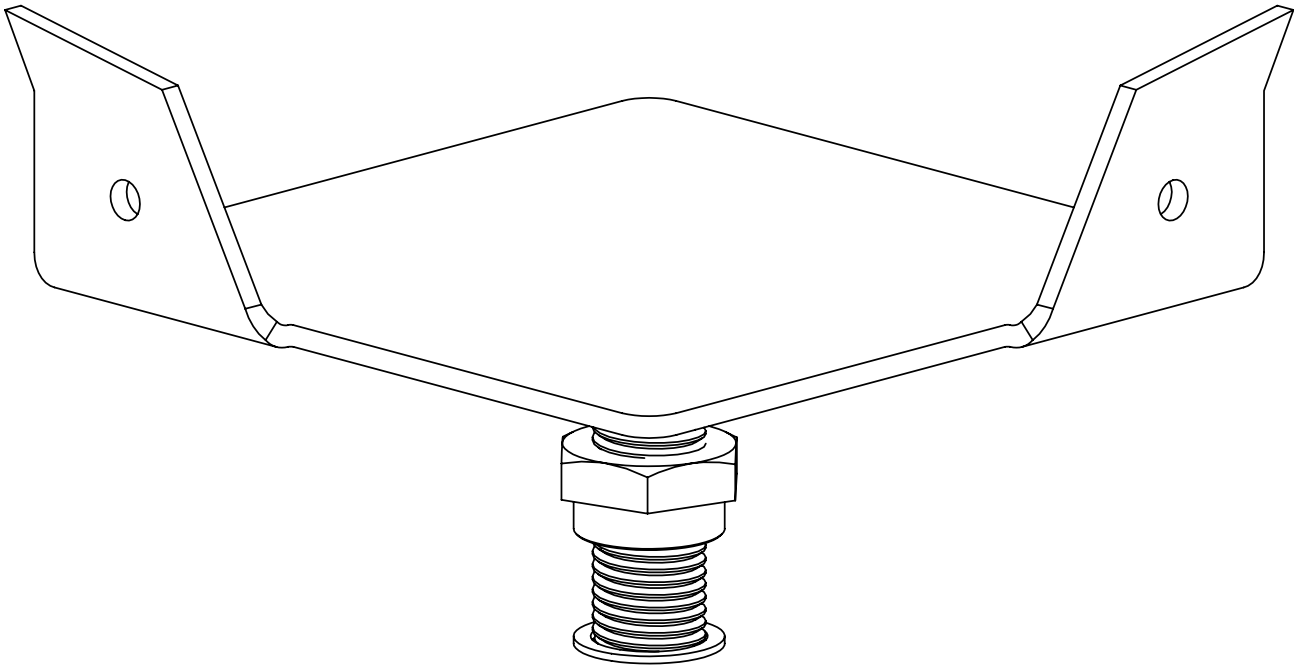
Corner (Ext) 96
SIP-02-039



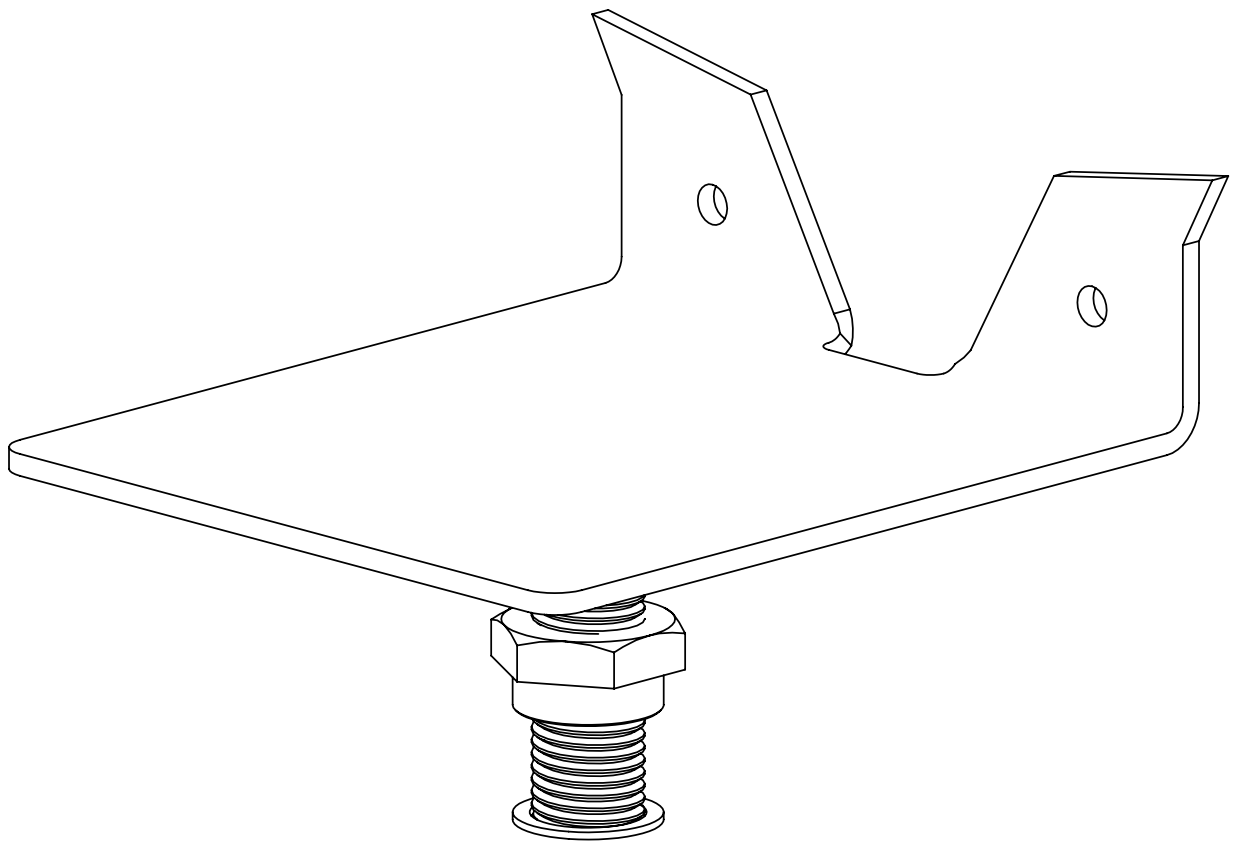
135deg (Int) 96
SIP-02-041



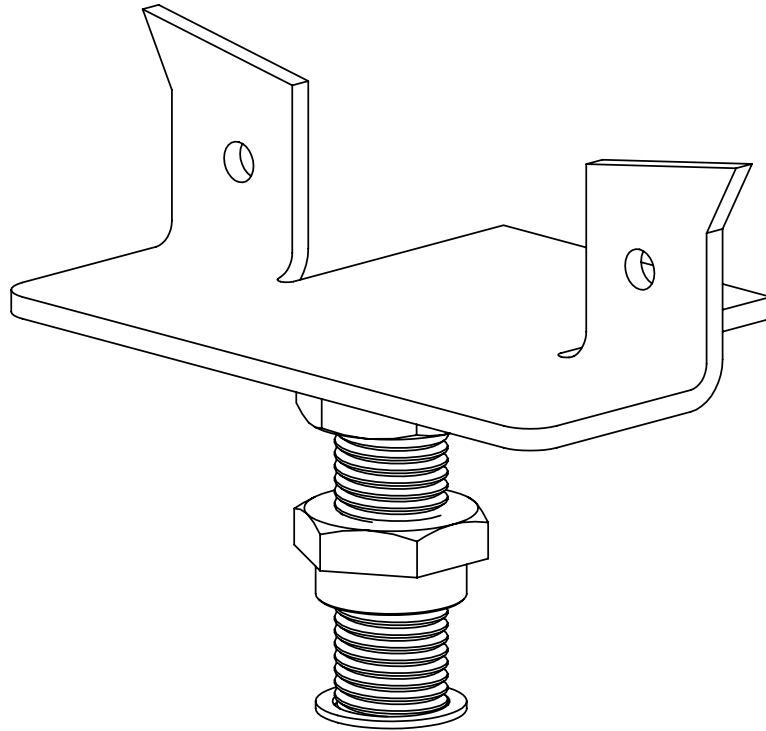
Corner (Ext) 235
SIP-02-043



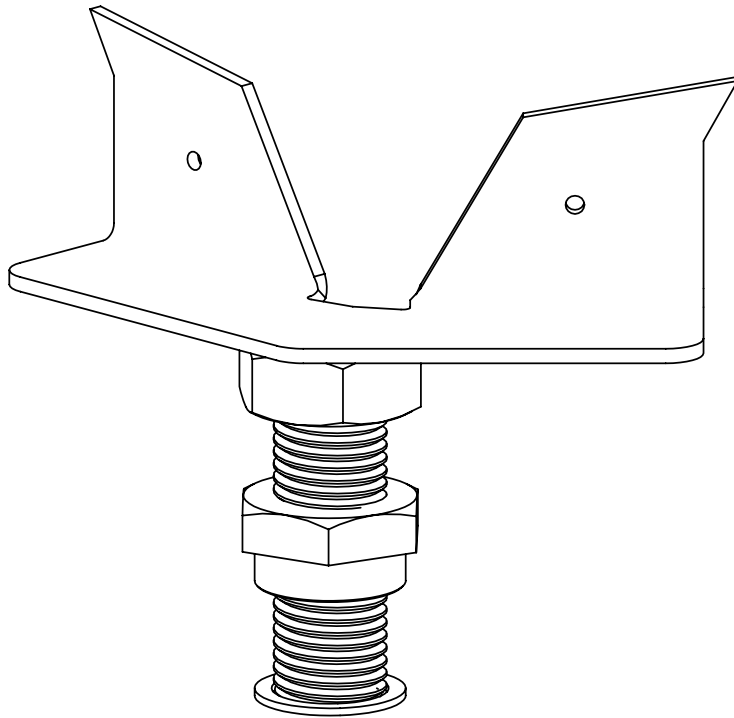
In Line 235
SIP-02-045



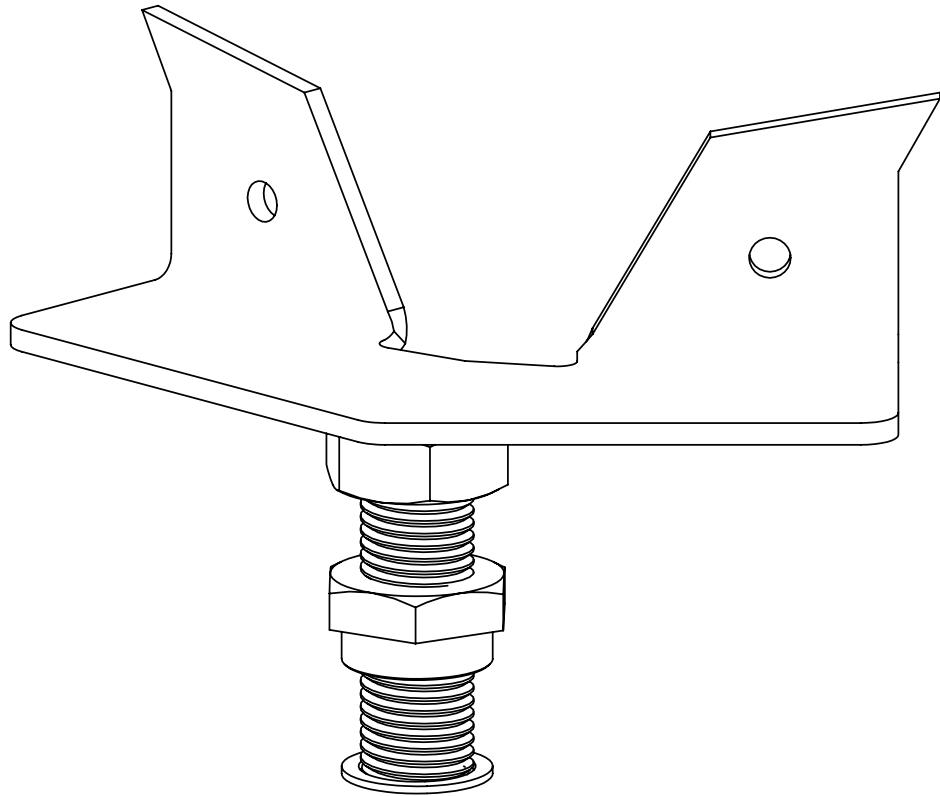
T' 66
SIP-02-047



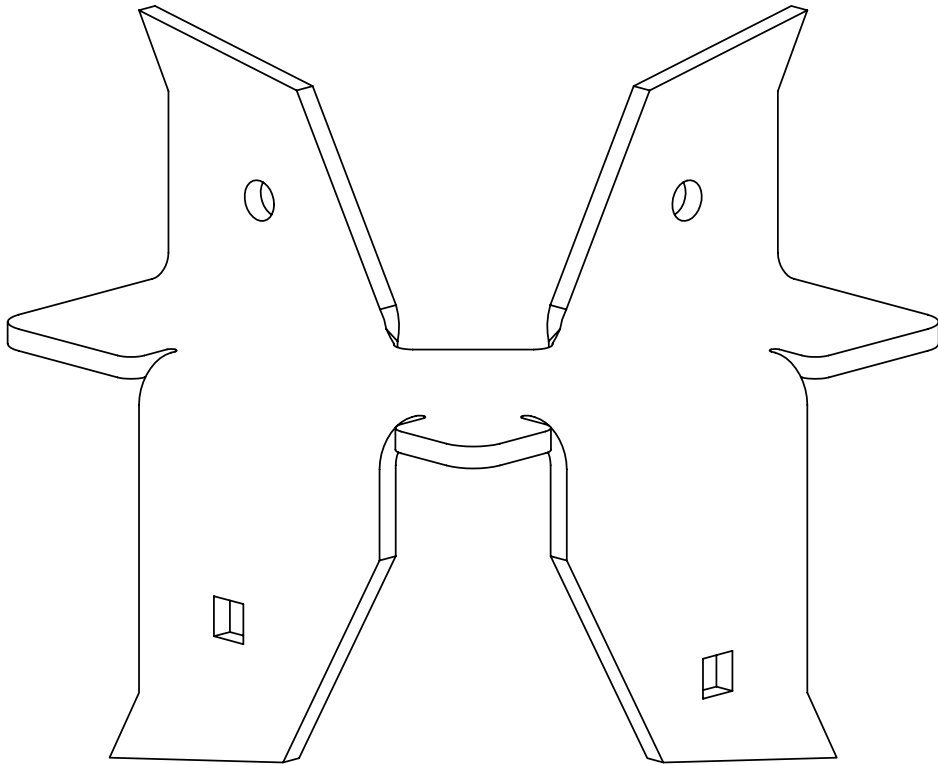
135deg (Int) 45
SIP-02-049



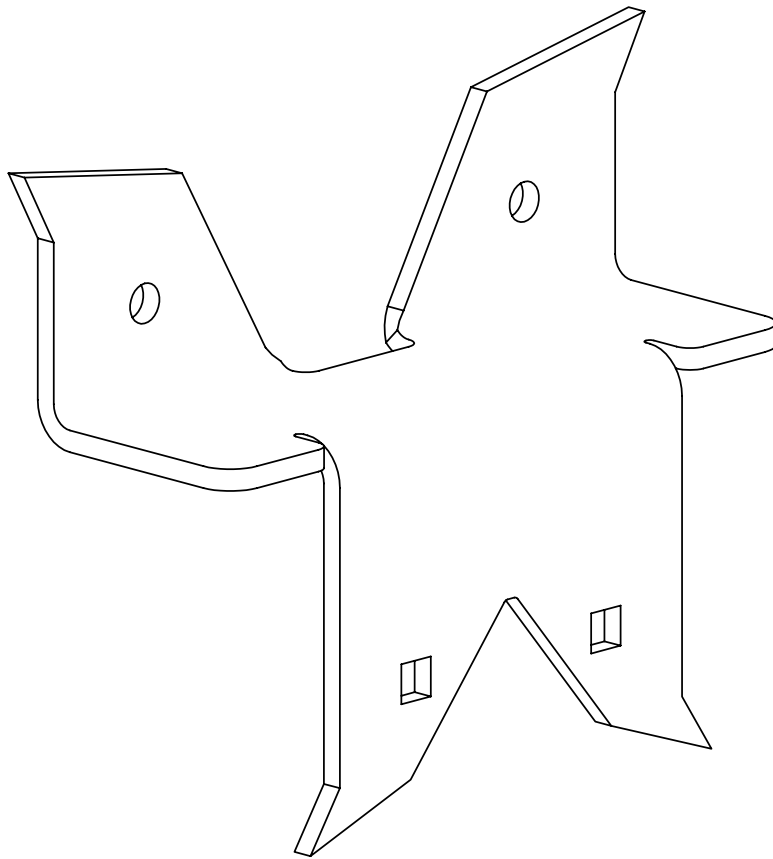
135deg (Int) 66
SIP-02-051



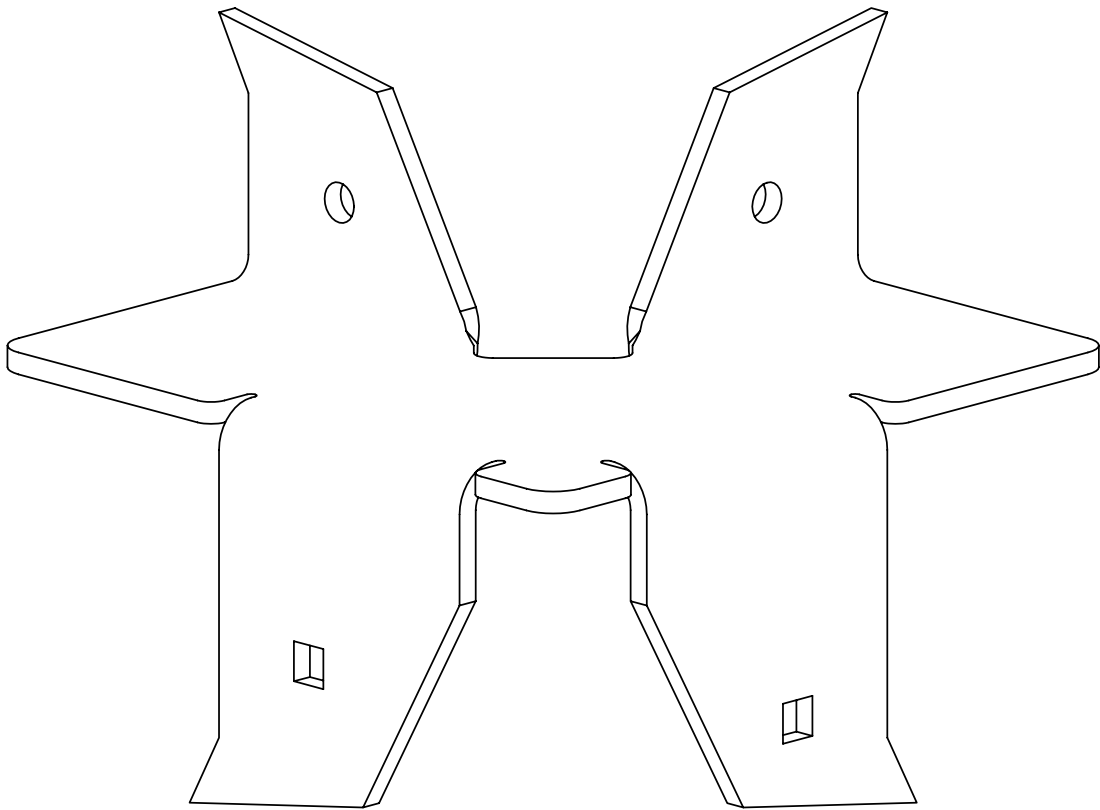
Stilt Corner (Int) 66
SIP-02-053



Stilt In Line 66
SIP-02-054



Stilt Corner (Int) 96
SIP-02-055



Stilt In Line 96
SIP-02-056

